

OREGON FIRE CHIEFS ASSOCIATION

Sponsor & Exhibitor Opportunities

2024





Welcome

The Oregon Fire Chiefs Association (OFCA) is proud to have served Oregon's fire service leaders for over 100 years, and we could not have done so without support from our community partners.

We are committed to providing continued opportunities for innovative, public-service oriented organizations to engage with our Board and our members. The sponsorship and exhibitor options in this packet have been designed to provide unique business development opportunities to your organization, with various levels of exposure depending on your needs and goals.

Thank you for supporting the Oregon Fire Chiefs Association. Together, we will continue to provide the connections, education, and innovation needed to address the challenges ahead for the fire service.

2024 Events

Spring Conference

MAY 1 - 3, 2024 | BEND, OR

Spring Conference is the premiere event for fire service leaders to gather from across the State of Oregon to network, share information, and receive training. By supporting Spring Conference, you will have the opportunity to connect with ~200 Chiefs and Chief Officers from departments large and small.

The event will take place at Riverhouse on the Deschutes in Bend, OR.

Table of Contents

- Why Exhibit?..... 3
- Member Benefits.....4
- Sponsorship Options.....5
- Exhibitor Packages..... 6
- A La Carte Sponsorships..... 7
- Apparatus Exhibitors..... 8
- Maps..... 9
- Schedule of Events..... 13
- Contact Information..... 14



SPRING Conference

Why exhibit?

Spring Conference is an ideal opportunity for your business to build and develop quality relationships with prospective and existing clients. When you exhibit during Spring Conference, you will interact directly with Fire Chiefs and Chief Officers from across Oregon. Take advantage of Spring Conference to:

- Reach the largest group of fire service leaders in Oregon
- Communicate your products and services
- Build new connections and affirm existing relationships

OFCA offers a variety of exhibitor and sponsorship options and pricing to suit your business needs. All sponsorship and basic exhibitor packages include

the following, in addition to the benefits listed on the next pages:

- A list of conference attendees with departmental contact information (emails are opt-in by attendees)
- Logo placement on the OFCA Conference web page
- Exhibit table space at the event with electricity and chairs

À la carte and apparatus sponsorship options can be **added on** to our Presidential, Awards Luncheon, and Bugle sponsorships, or to our basic exhibitor packages. À la carte and apparatus options can also be purchased individually, but they do not include the base benefits listed above.





MEMBER

Benefits

Support OFCA Year-Round & Enjoy the Perks

When you support OFCA with an annual Sustaining / Vendor Membership (\$210 annually, July 1 - June 30) not only will you be helping us to better serve emergency responders across the state, you will also receive the following benefits:

- Exclusive Spring Conference Perks
- Inline Exhibitor Booth: \$500 (\$50 savings)
- Member Exclusive: Corner Exhibitor Booth: \$575
- Priority conference registration / booth selection
- Included on select OFCA membership emails

Visit ofca.org/Join-Us, or click below to get started:

BECOME A MEMBER

Please note that you must be signed in to your membership profile on ofca.org to access membership pricing.

SPONSORSHIP

Options

Presidential Sponsor

\$3,000

One available

Our premiere sponsorship with the greatest opportunity to interface with our Board of Directors. Includes (3) Invitations to the OFCA Board of Directors Dinner. (1) 2-minute speaking opportunity during the dinner*. (1) 4-person team for the Foundation Golf Tournament. (3) Complimentary Spring Conference registrations. (1) XL / 20' x 8' premium placement exhibiting booth. Prominent placement of (1) 8.5" x 11" color ad in attendee brochure. (3) Slides in our sponsor slideshow. (1) Complimentary Sustaining / Vendor Membership for the following year (begins July 1).

Awards Luncheon Sponsor

\$2,000

One available

Includes: (1) 2-minute speaking opportunity at the Meritorious Awards Luncheon*. Recognition by the emcee as the Luncheon Sponsor. (2) Complimentary Spring Conference registrations. (1) XL / 20' x 8' premium placement exhibiting booth. Prominent placement of (1) 8.5" x 11" color ad in attendee brochure. (2) Slides in our sponsor slideshow. (1) Complimentary Sustaining / Vendor Membership for the following year (begins July 1).

Bugle Sponsor

\$1,000

Five available

Includes (2) Complimentary Spring Conference registrations. (1) XL / 20' x 8' exhibiting booth. Prominent placement of (1) 8.5" x 11" color ad in attendee brochure. (2) Slides in our sponsor slideshow. (1) Complimentary Sustaining / Vendor Membership for the following year (begins July 1).

**Remarks to be pre-approved by the OFCA Board of Directors*

EXHIBITOR Packages

	Member	Non-Member
Inline Exhibitor	\$500	\$550

Includes: (1) 10' x 8' inline booth with 8' table, chairs, and electricity. (1) 1/2 page (8.5" x 5.5"), horizontal, color advertisement printed in the attendee packet. Logo displayed during sponsor slideshow. (1) Complimentary representative registration. Additional representatives cost \$75 each.

	Member
Corner Exhibitor	\$575

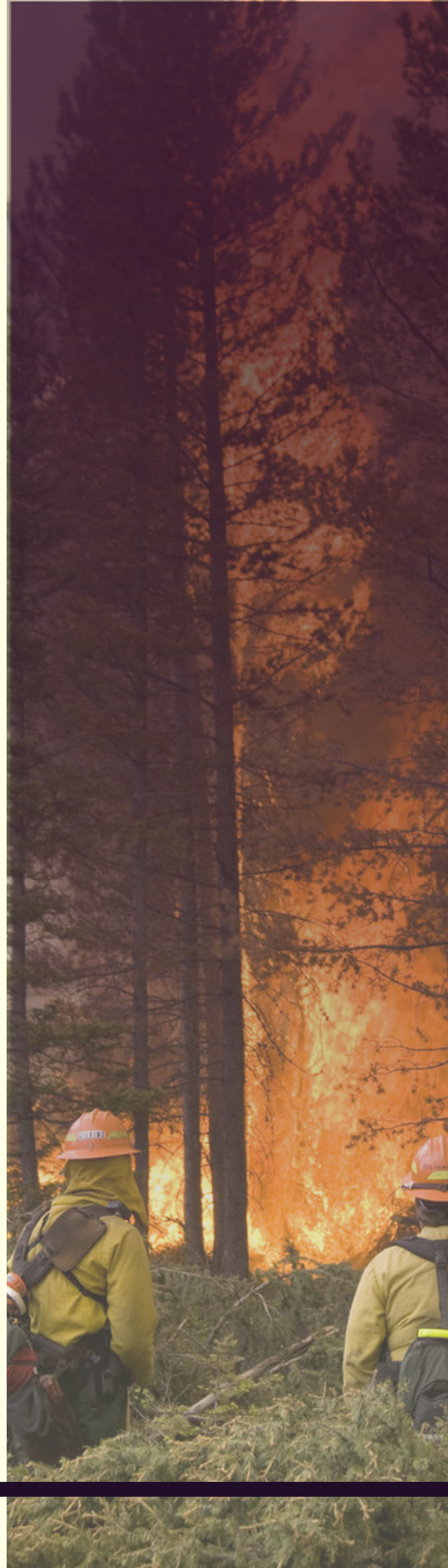
Exclusive to OFCA Sustaining / Vendor Members, includes:

(1) 10' x 8' corner booth with 8' table, chairs, and electricity. (1) 1/2 page (8.5" x 5.5"), horizontal, color advertisement printed in the attendee packet. Logo displayed during sponsor slideshow. (1) Complimentary representative registration.

Additional representatives cost \$75 each.

Ready to sign up? Visit ofca.org/Sponsor, or click below to reserve your spot:

REGISTER ONLINE



À LA CARTE

Sponsorships

Lunch Sponsor \$750

(2) spots available. Recognition at lunch. Posted signage during lunch. Business cards placed on lunch tables. Company listing on sponsor page in attendee packet.

Breakfast Sponsor \$500

(2) spots available. Posted signage during breakfast. Business cards provided by vendor placed on breakfast tables. Company listing on sponsor page in attendee packet.

All Day Coffee & Water \$500

(1) spot available. Signage on coffee / water stations. Company listing on sponsor page in attendee packet.

Break Sponsor \$350

(1) spot available. Company information and business cards placed on break tables during your sponsored break.

Vendor Passport Raffle \$350

(1) spot available. Sponsor will provide prize of their choosing to be awarded to winner of the Vendor Passport raffle drawing. Sponsor will be granted the opportunity to make an announcement and draw the winner.

Notebook Materials Only

(1) spot available. Company notebooks provided to conference attendees (300 total).

Pen Sponsor Materials Only

(1) spot available. Company pens provided to conference attendees (300 total).

Bag Sponsor Materials Only

(1) spot available. Company bags made available to attendees at conference registration table (300 total).

Have a Raffle Item?

All Sponsors & Exhibitors will have the opportunity to socialize with our attendees during the **Gathering of the Bugles reception on Wednesday, May 1**. With the donation of an item to our raffle that evening, you will also be granted 30 seconds of time on the microphone to address our attendees.

Select the option to donate a raffle item when you sign up as a Sponsor or Exhibitor at ofca.org!

APPARATUS

Exhibitors

Options for Exhibiting Apparatus

There is limited space for exhibiting apparatus at our conference venue. Options for vendors who would like to bring apparatus are as follows:

Front Door Exhibitor \$850

There is one (1) large parking space available outside of the front doors of the conference center. This space is reserved for fire-specific apparatus only.

Indoor Exhibitor \$650

There is space available for one (1) 25' rig (or smaller) to be parked inside the Exhibition / Lunch Room.

- Indoor apparatus exhibit shall be required to have less than 1/4 tank of gas before placement is allowed.
- Exhibitor must bring and set up adequate floor coverings for vehicles.
- No studded tires.

Patio Exhibitor

\$550

The following spaces are available for apparatus to be parked on the back patio just outside the Exhibition / Lunch room. Lunch tables will be set outside near the apparatus. Vehicles must be able to back in to position down a long driveway.

- (2) 24' Vehicles
- (1) 28' Vehicle
- (1) 30' Vehicle

MAPS



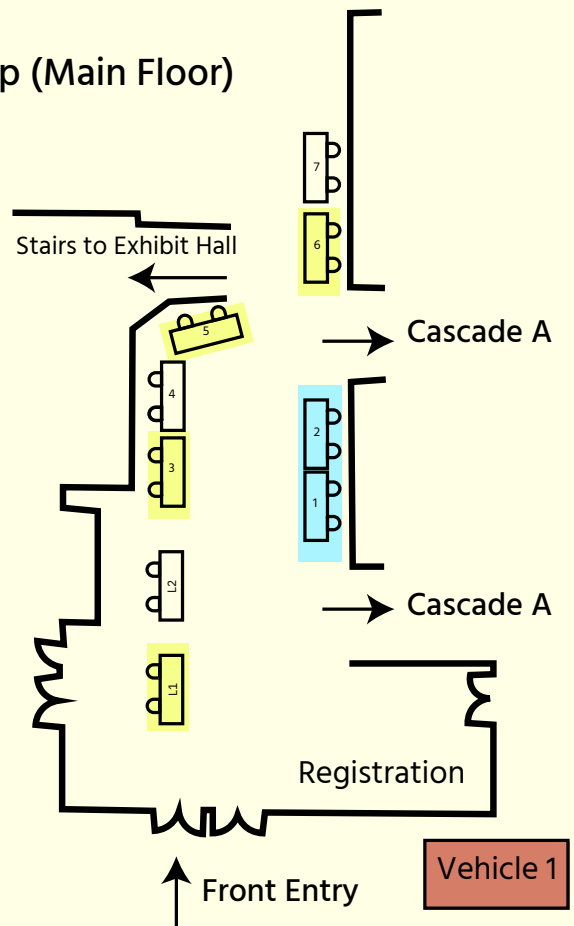
Convention Center Front Entry

Back Entrance to Exhibit Hall & Patio Parking

Table Color Key

- # Sponsors Only
- # Corner Exhibit Table
- # Inline Exhibit Table
- Vehicle Exhibit

Foyer Map (Main Floor)



Cascade A / General Session (Main Floor)

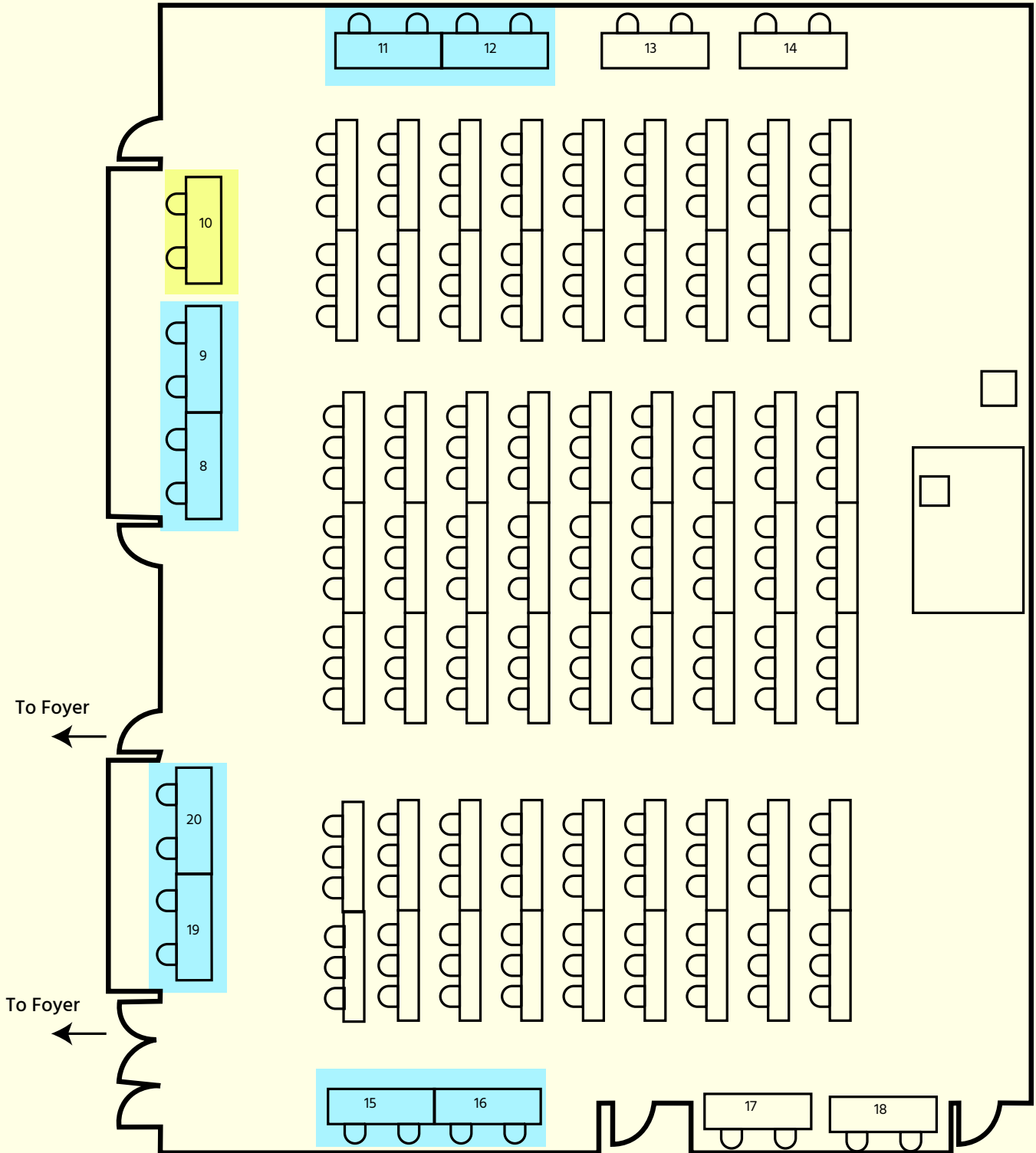
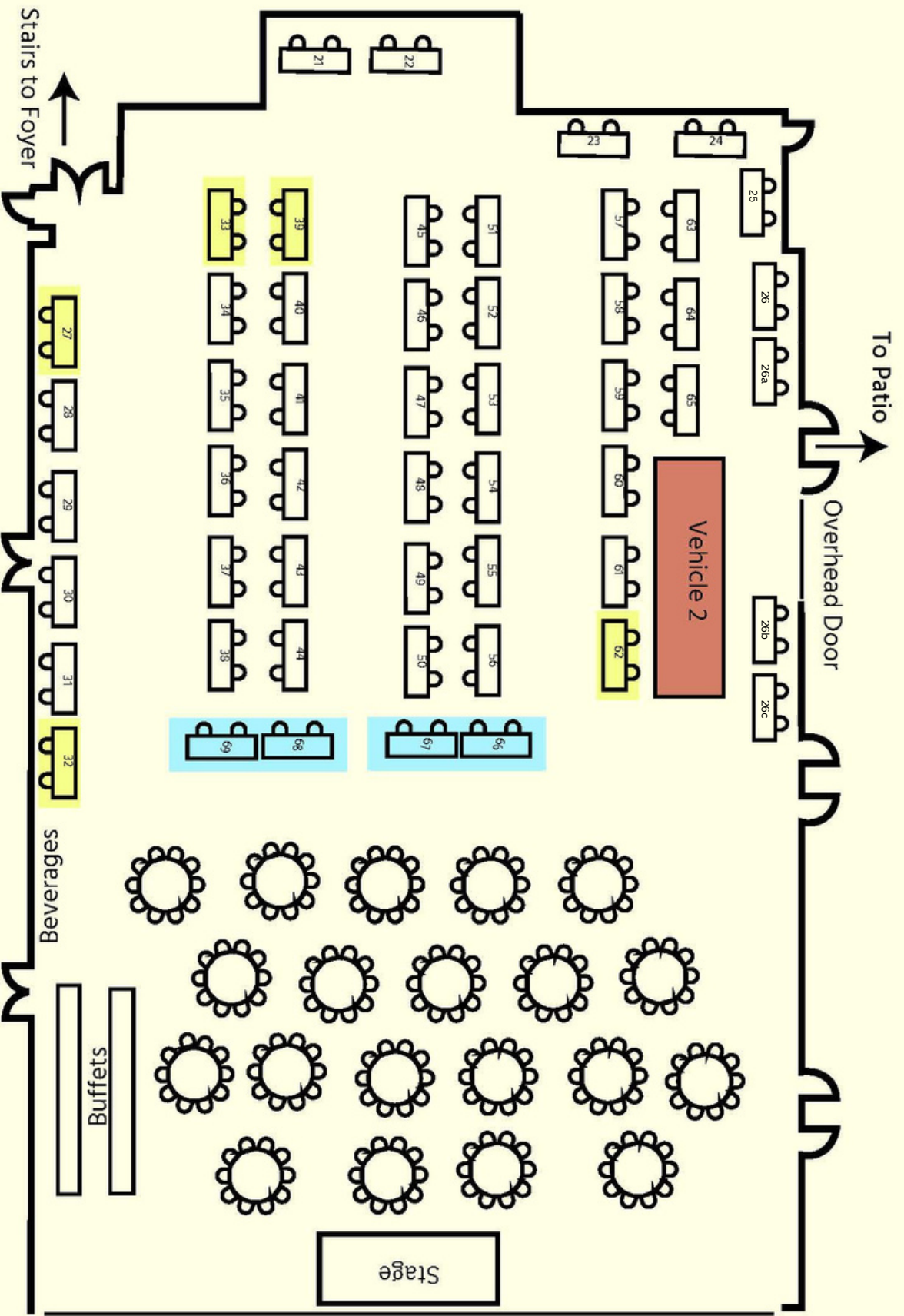
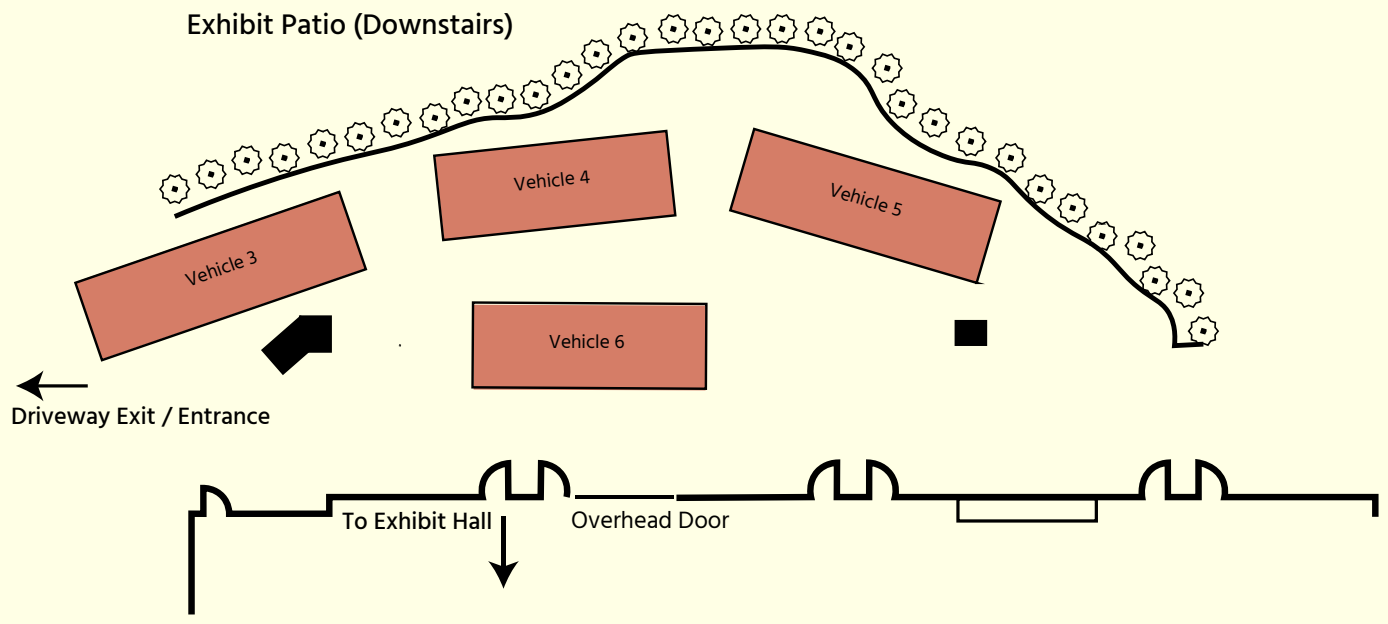


Exhibit Hall (Downstairs)





IMPORTANT Dates & Events

April 08	Deadline to Submit Print Materials for the Brochure
April 22	Deadline to Submit Digital Materials for the Website
April 30	Conference Day 0
1100 - 1600	Exhibitor Booth Setup & Apparatus Parking in Exhibit Hall, Lobby / Foyer & General Session Room
May 1	Conference Day 1
0600 - 0730	Exhibitor Booth Setup in Lobby / Foyer & General Session Room
0700	Breakfast & Registration Opens
0800	Opening Ceremonies, General Session Begins
1200	Break
1400	Lunch
1515	Break
1700	Gathering of the Bugles Reception
May 2	Conference Day 2
0700	Breakfast & Registration Opens
0800	General Session Begins
1000	Break
1200	Awards Luncheon
1530	Break
1715	Early Booth Tear-Down (Optional, Upstairs & Downstairs)
May 3	Conference Day 3
0700	Breakfast & Registration Opens
0800	General Session Begins
0930	Break
1000	Downstairs Exhibitor Booth Tear-Down
1030	Upstairs Exhibitor Booth Tear-Down
1100	Patio Apparatus Exit



Register Online at ofca.org/Sponsor

Thank You

Questions? Contact Us

Oregon Fire Chiefs Association
(503) 298 - 5240 ofca@ofca.org

